



Armchair

Frame and back of solid wood and plywood with non-deformable polyurethane foam, lining of polyester padding.

Fire retardant foam meets California Bulletin 117A, EN1021-1/2:2014 and Italian Class 1 IM Standards.

Hi thickness metal legs (h. cm 18) available in chromed or powder coated finish.

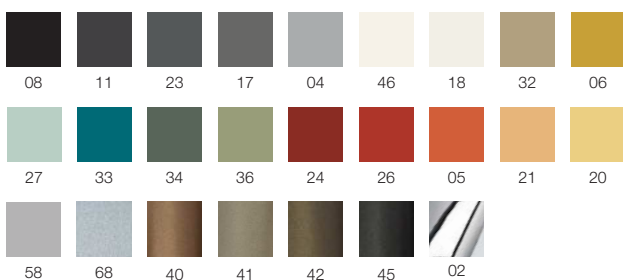
Covers: in available in fabric, leather, faux leather or C.O.M (preferably in solid colours).



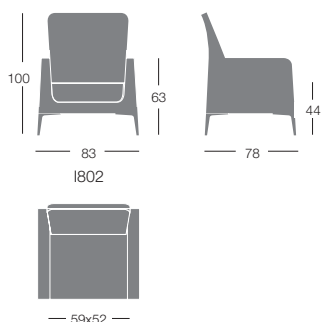
	Article	Upholstery	pcs / dimensions volume / gross weight product net weight
Armchair with high back	1802	Cosmos / Cross / Notch / Scintilla / Zen Broadcloth / Casablanca / Pave / Salute / Spinning C.O. faux leather / C.O.M. (solid colour)	1 pc / 88x78x86 cm 0,59 m3 / 34 Kg 30 Kg

Finishes

Metal legs



Dimensions



Customer's own material

For customer's own material/leather, the form at the end of the price list shall apply, to be sent to Segis with the Client's signature.

Art. 1802 Solid fabric: for 1 pc 452 cm (H. 140 cm)
C.O.L. qty: for 1 pc 8,13 m2